

402-1



# V2RH SERIES

BSP / NPTF  
ORB / SAE



Calibrated steel manufacturing.  
Available with or without mounting holes.  
Thread combination available upon request of minimum quantities.

**• Materials**

Carbon Steel *EN-10277-3 / AISI 316L / AISI 303*

Seals: NBR, Viton or EPDM

Seating Ball: P.O.M (Delrin®)

Handle: ZAMAK-5

**• Working temperature (Seals)**

	NBR	Viton	EPDM
	+100°C	+200°C	+150°C
	-30°C	-10°C	-40°C

**• Applications:** Designed for Oil hydraulic Applications according to European Directive 97.23.EC Special for American market

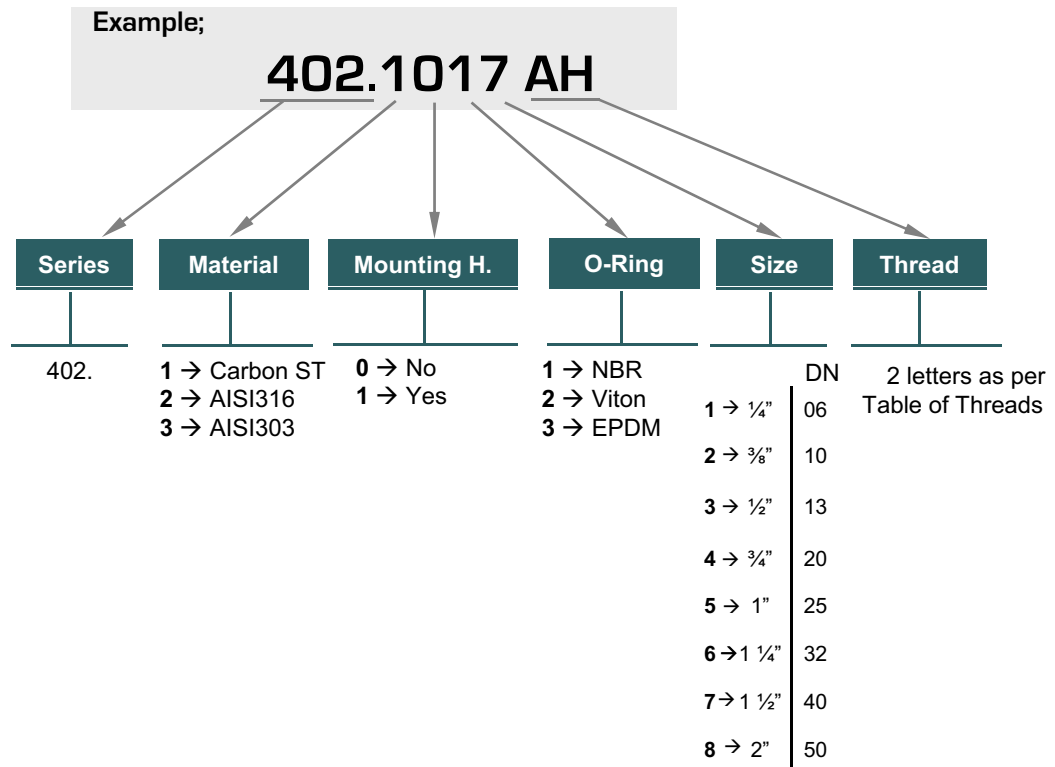
**• Sectors:** Industrial, Agricultural.



**• Equivalence**

PISTER BKH  
MHA BKH  
HYDAC KHB  
DMIC DVH

**MODEL STRUCTURE**

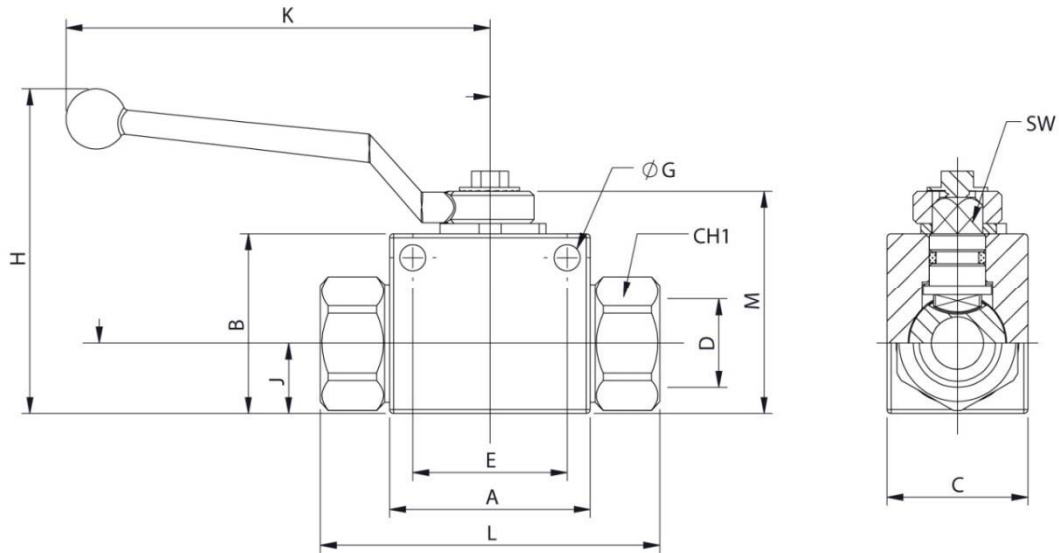





# V2RH SERIES

BSP / NPTF  
ORB / SAE

402-2



## STANDARD MODELS

DN	D	With M.H.	Without M.H.		CH1	L	A	B	M	K	H	J	C	SW	G	E
06	1/4" BSP	402.1111AB	402.1011AB	500Bar	22	74,60	40	35	45,50	105,50	71	13	26	8,90	4,50	31,50
	1/4" NPTF	402.1111BB	402.1011.BB													
	7/16"-20ORB	402.1111GA	402.1011GA													
10	3/8" BSP	402.1112AC	402.1012AC	500Bar	27	75,40	45	40	50,50	105,50	76	16	32	8,90	5,20	31,50
	3/8" NPTF	402.1112BC	402.1012BC													
	9/16" ORB	402.1112GC	402.1012GC													
13	1/2" BSP	402.1113AD	402.1013AD	500Bar	30	84,50	50	45	55,50	105,50	81	17,50	35	8,90	6,50	38,50
	1/2" NPTF	402.1113BD	402.1013BD													
	3/4" - 16ORB	402.1113GF	402.1013GF													
20	3/4" BSP	402.1114AE	402.1014AE	400Bar	41	93,40	60	58	73	159,50	108	23	50	13,90	6,50	48,50
	1 1/16" NPTF	402.1114BE	402.1014BE													
	1 1/16"-12ORB	402.1114GK	402.1014GK													
25	" BSP	402.1115AF	402.1015AF	350Bar	50	114,50	65	65	80	159,50	115	27,50	57	13,90	8,50	50,50
	1" NPTF	402.1115BF	402.1015BF													
	1 1/4" BSP	402.1115AG	402.1015AG													
	1 1/4" NPTF	402.1115BG	402.1015BG													
	1 1/2" BSP	402.1115AH	402.1015AH													
	1 1/2" NPTF	402.1115BH	402.1015BH													
	1 5/16"-12ORB	402.1115GO	402.1015GO													

Safety pressure factor 1:4

